

PROFESSIONAL MEASURING



23

**PALLET TRUCK
SCALES**

KERN Pictograms

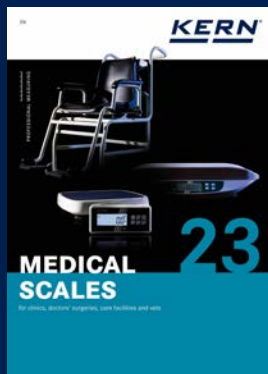
 Internal adjusting: Quick setting up of the balance's accuracy with internal adjusting weight (motordriven)	 Network interface: For connecting the scale to an Ethernet network	 Suspended weighing: Load support with hook on the underside of the balance
 Adjusting program CAL: For quick setting up of the balance's accuracy. External adjusting weight required	 KERN Communication Protocol (KCP): It is a standardized interface command set for KERN balances and other instruments, which allows retrieving and controlling all relevant parameters and functions of the device. KERN devices featuring KCP are thus easily integrated with computers, industrial controllers and other digital systems	 Battery operation: Ready for battery operation. The battery type is specified for each device
 Easy Touch: Suitable for the connection, data transmission and control through PC or tablet.	 GLP/ISO log: The balance displays weight, date and time, independent of a printer connection	 Rechargeable battery pack: Rechargeable set
 Memory: Balance memory capacity, e.g. for article data, weighing data, tare weights, PLU etc.	 GLP/ISO log: The balance displays weight, date and time, independent of a printer connection	 Universal plug-in power supply: with universal input and optional input socket adapters for A) EU, CH, GB B) EU, CH, GB, USA C) EU, CH, GB, USA, AUS
 Alibi memory: Secure, electronic archiving of weighing results, complying with the 2014/31/EU standard.	 GLP/ISO log: With weight, date and time. Only with KERN printers.	 Plug-in power supply: 230V/50Hz in standard version for EU, CH. On request GB, USA or AUS version available
 KERN Universal Port (KUP): allows the connection of external KUP interface adapters, e.g. RS-232, RS-485, SB, Bluetooth, WLAN, Analogue, Ethernet etc. for the exchange of data and control commands, without installation effort	 Piece counting: Reference quantities selectable. Display can be switched from piece to weight	 Integrated power supply unit: Integrated in balance. 230V/50Hz standard EU. More standards e.g. GB, USA or AUS on request
 Data interface RS-232: To connect the balance to a printer, PC or network	 Recipe level A: The weights of the recipe ingredients can be added together and the total weight of the recipe can be printed out	 Weighing principle: Strain gauges Electrical resistor on an elastic deforming body
 RS-485 data interface: To connect the balance to a printer, PC or other peripherals. Suitable for data transfer over large distances. Network in bus topology is possible	 Recipe level B: Internal memory for complete recipes with name and target value of the recipe ingredients. User guidance through display	 Weighing principle: Tuning fork A resonating body is electromagnetically excited, causing it to oscillate
 USB data interface: To connect the balance to a printer, PC or other peripherals	 Totalising level A: The weights of similar items can be added together and the total can be printed out	 Weighing principle: Electromagnetic force compensation Coil inside a permanent magnet. For the most accurate weighings
 Bluetooth* data interface: To transfer data from the balance to a printer, PC or other peripherals	 Percentage determination: Determining the deviation in % from the target value (100 %)	 Weighing principle: Single cell technology: Advanced version of the force compensation principle with the highest level of precision
 WiFi data interface: To transfer data from the balance to a printer, PC or other peripherals	 Weighing units: Can be switched to e.g. nonmetric units. See balance model. Please refer to KERN's website for more details	 Verification possible: The time required for verification is specified in the pictogram
 Control outputs (optocoupler, digital I/O): To connect relays, signal lamps, valves, etc.	 Weighing with tolerance range: (Checkweighing) Upper and lower limiting can be programmed individually, e.g. for sorting and dosing. The process is supported by an audible or visual signal, see the relevant model	 DAkKS calibration possible (DKD): The time required for DAkKS calibration is shown in days in the pictogram
 Analogue interface: to connect a suitable peripheral device for analogue processing of the measurements	 Hold function: (Animal weighing program) When the weighing conditions are unstable, a stable weight is calculated as an average value	 Factory calibration (ISO): The time required for Factory calibration is shown in days in the pictogram
 Interface for second balance: For direct connection of a second balance	 Protection against dust and water splashes IPxx: The type of protection is shown in the pictogram.	 Package shipment: The time required for internal shipping preparations is shown in days in the pictogram
		 Pallet shipment: The time required for internal shipping preparations is shown in days in the pictogram

KERN – Measuring technology and testing services from a single source



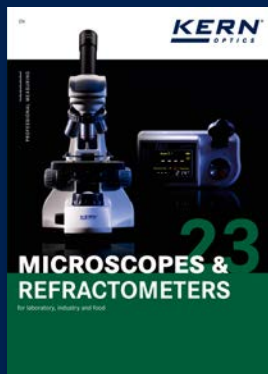
Balances & Test service catalogue

Provides a complete overview of the KERN line of balances, test weights, and services such as verification, calibration, etc.



Medical scales catalogue

Complete line of medical scales, from infant scales to patient scales, chair scales and adiposity scales, as well as hand grip dynamometers, chemist's balances and veterinary scales.



Microscopes & refractometers catalogue

Extensive range in the area of optical instruments, such as, biological microscopes, stereo microscopes, metallurgical microscopes, polarisation microscopes as well as analogue and digital refractometers.



SAUTER measuring equipment catalogue

Test instruments for industry and commerce, such as force, coating thickness, material thickness and calibration service.



Test service brochure

Detailed information on topics pertaining to the calibration and verification of balances, test weights, and force measuring devices.

Your advantages

fast

- 24 hours delivery service for products in stock – ordered today, on its way tomorrow
- Sales & service hotline available from 8:00 am to 6:00 pm

reliable

- Up to 3 years warranty
- Precision in weighing technology for more than 175 years

competent

- DAkkS accreditation DIN EN ISO/IEC 17025
- Certified QM system DIN EN ISO 9001
- Authorisation for initial verification by the manufacturer 2014/31/EU
- Medical certifications DIN EN ISO 13485 and 93/42/EWG

versatile

- One-stop shopping: from pocket balances through to 12 t crane balance – everything from one supplier
- Find the product you want at lightning speed with the "Balance Quick-Finder" at www.kern-sohn.com



Order hotline
+49 7433 9933-0



Service hotline
+49 7433 9933-199



Calibration hotline
+49 7433 9933-196



Online Shop
www.kern-sohn.com



E-mail order
info@kern-sohn.com



Our team of consultants will assist you
from Monday to Friday
from 8:00 am to 5:00 pm



www.kern-sohn.com
Information on current product availability, product data sheets, user instructions, useful knowledge, technical glossary, images and much for you to download, practical topic areas, which will guide you to the right product in your industry as well as a clever test weight and balance search engine.



14

PALLET TRUCK SCALES



Weighing and transporting – just one operation

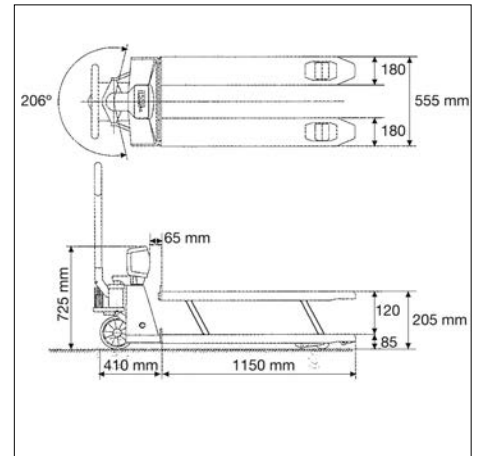
Speed up your warehouse and dispatch processes with the KERN pallet truck scales.

Get the exact weight of a load and at the same time, transport it to a specific location, all in one operation. This reduces commissioning times and avoids queues in front of fixed floor scales.

These mobile weighing solutions are space-saving and deliver reliable weighing results. Differences between given and actual weights can be determined quickly e.g. in the goods-in and out department. This uncovers inaccurate quantities, saves time and money and therefore ensures a very short amortisation period of the scales original cost.

KERN pallet truck scales are of robust industrial quality, with high-level protection against dust and water splashes, with high-contrast, easy-to-read displays as well as solid wheels and load rollers – all this helps to give you practical support in your work – day after day.

Of course, all KERN pallet truck scales can also be calibrated and delivered with a DAkkS calibration certificate (optional). This ensures the high level of accuracy of your pallet truck scale.



Pallet truck scale with complete protection against dust and water splashes IP65/67 and a memory for a container weight

Features

- PRE-TARE function for manual subtraction of a known container weight, useful for checking fill-levels
- **1** Display device: Plastic, protected against dust and water splashes IP65
- **2** Load fork: Protection against dust and water splashes IP67, temporary use in wet areas possible
- Pivot range 206°
- Castors: Solid rubber on aluminium rims
- **3** Load rollers: Tandem tyres to overcome thresholds and obstacles more easily
- Totalising of weights
- Ready for use: Batteries included, 4x1.5 V AA, operating time up to 80 h

Technical data

- Large LCD display, digit height 28 mm
- Permissible ambient temperature -10 °C/40 °C

Accessories

- **4** Castors made of polyurethane (colour exemplary) on aluminium rims. Ideal for light-coloured flooring as they leave less visible abrasive marks. Suitable for the current models of the pallet truck scale range KERN VHB (when retrofitting, please give the serial number of the pallet truck scale available when ordering), scope of delivery: 1 item, KERN VHB-A02, € 140,-

! Shipment via freight forwarder. Please ask for dimensions, gross weight, shipping

STANDARD

CAL EXT	SUM	UNIT	IP 65	IP 67	BATT	DMS	2 DAYS
---------	-----	------	-------	-------	------	-----	--------

OPTION

DAkkS +3 DAYS

Model	Weighing capacity	Readability	Net weight	Price excl. of VAT ex works €	Option DAKKS Calibr. Certificate DAKKS KERN €
KERN VHB 2T1	[Max] kg 2000	[d] kg 1	approx. kg 110	1810,-	963-131 260,-

KERN & SOHN – The wide range of product champion that is situated in the Swabian Alb

KERN & SOHN GmbH
Balances, Test weights, Microscopes,
DAkkS calibration laboratory
Ziegelei 1
72336 Balingen
Germany
Tel. +49 7433 9933-0
info@kern-sohn.com



Printed in Germany by KERN & SOHN GmbH · z-ob-en-kp-20231

Discover the vast world of scales and measuring technology from KERN online: kern-sohn.com



Follow us also on our social media
channels

