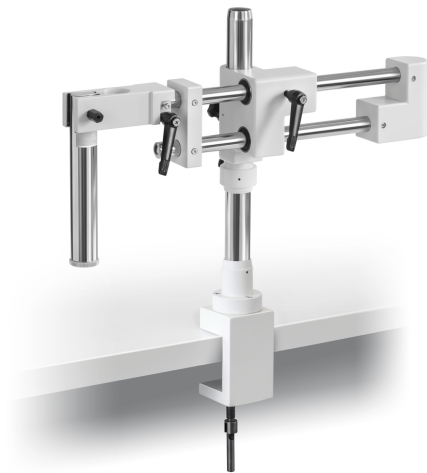


KERN OZB-A1213

KERN

Individuality, variety and flexible working through our modular construction system ▶ ECO-Universal stands



Net weight approx.	15 kg
Gross weight approx.	17 kg
Shipping weight	17 kg

Pictograms

STANDARD



Category

Brand	Optics
Product category	Microscope
Product group	Stereo Microscope- Stand
Product family	OZB-UE

Construction

Dimension (W×D×H)	526×210×380 mm
-------------------	----------------

Stereomicroscope stand

Stand type	universal (ball-bearing double telescopic arm with clamp)
Diameter mounting universal stand (Ø)	32 mm
Diameter mounting microscope head (Ø)	76 mm
Arm length	480 mm

Environmental conditions

Storage temperature [Min]	-5 °C
Storage temperature [Max]	40 °C

Approval

CE mark	✓
---------	---

Packing & Shipping

Delivery time	1 d
Dimensions packaging (W×D×H)	490×420×290 mm
Net weight	15 kg
Shipping method	Parcel service