



KERN & Sohn GmbH

Ziegelei 1
D-72336 Balingen
email: info@kern-sohn.com

Phone: +49-[0]7433- 9933-0
Fax: +49-[0]7433-9933-149
Internet: www.kern-sohn.com

Installation instructions

Tripod

KERN VB-A08/VB-A09

Version 1.0
02/2008
GB



VB-A08/VB-A09-IA-e-0810



KERN VB- A08/VB-A09

Version 1.0 02/2008

Installation Instructions Tripod

In order to raise the display unit for weighing plate size 300 x 300 x 65 mm use the tripod **VB-A08**, for weighing plate size $\geq 380 \times 380 \times 96$ mm use the **VB-A09** tripod.

Scope of delivery:

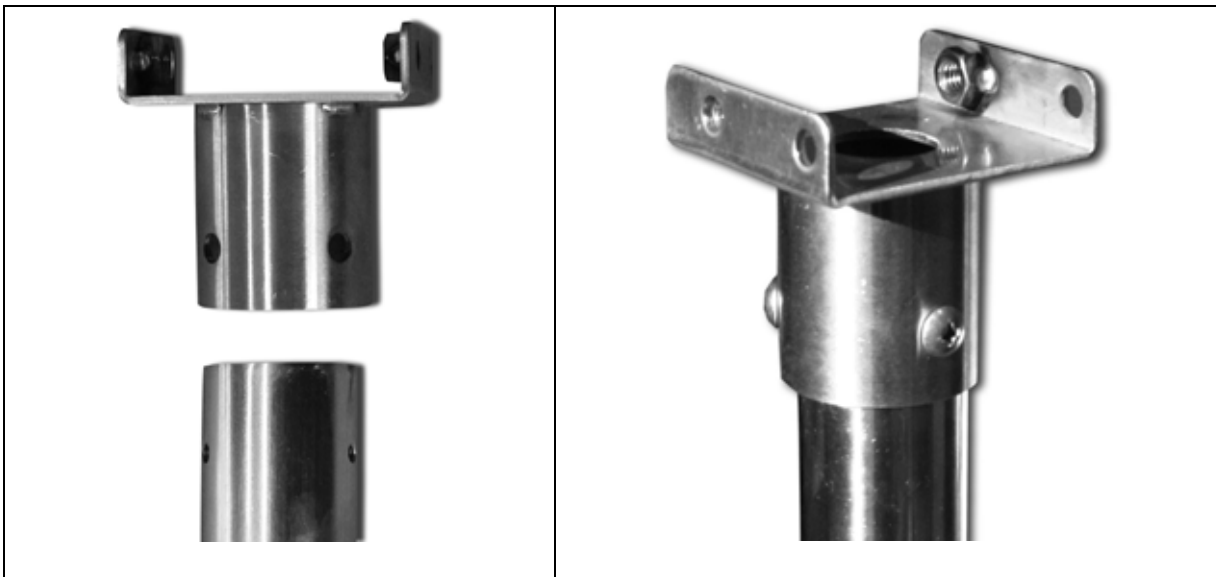
VB-A08



VB-A09

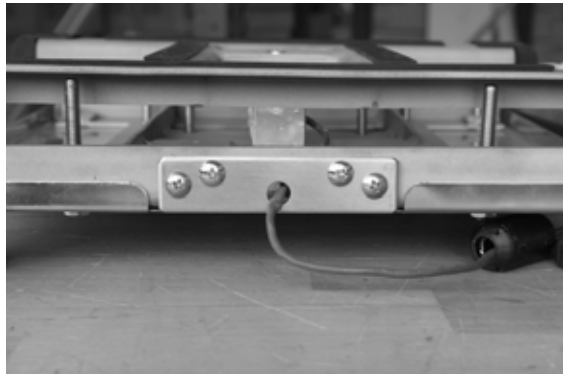


Screw-on holder for the display unit, model VB-A09 only:



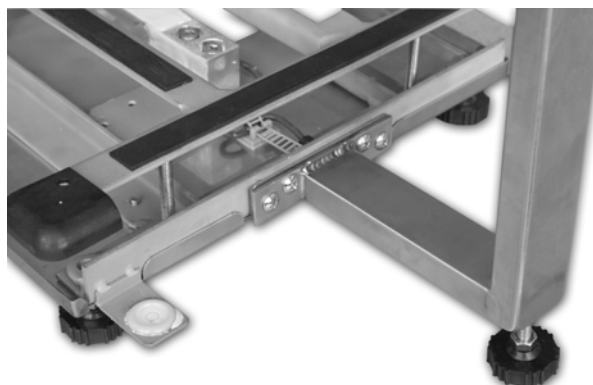
Assembly of tripod.

1. Remove weighing plate



2. Screw-off assembly plate and replace it with the tripod
3. Screw tripod on the platform

Example: VB-A08



Screw-in foot screw till it is safely fixed.
Observe that the air bubble of the level is within the prescribed circle.

4. Screw-off table foot of the display unit



5. Screw-off cover plate and replace it with the cover plate of the tripod



6. Screw-on cover plate



7. Screw tripod holder on the cover plate acc. to figure



8. Fix display unit on the tripod using the securing screw (1).

VB-A08:



VB-A09:



9. Screw-in turning knobs (2, 3) for display positioning