



**KERN & Sohn GmbH**

Ziegelei 1

D-72336 Balingen

email: [info@kern-sohn.com](mailto:info@kern-sohn.com)

Phone: +49-[0]7433- 9933-0

Fax: +49-[0]7433-9933-149

Internet: [www.kern-sohn.com](http://www.kern-sohn.com)

# Operating Manual

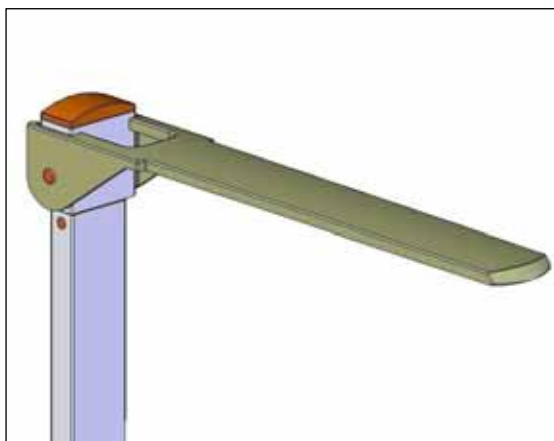
Body height measuring device

## KERN MPS-A06

Version 1.0

08/2008

GB



MPS-A06-BA-e-0810



# KERN MPS-A06

Version 1.0 08/2008

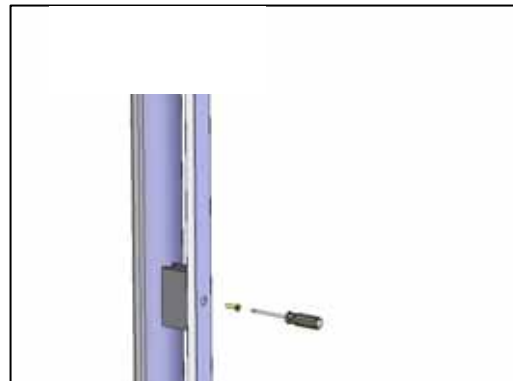
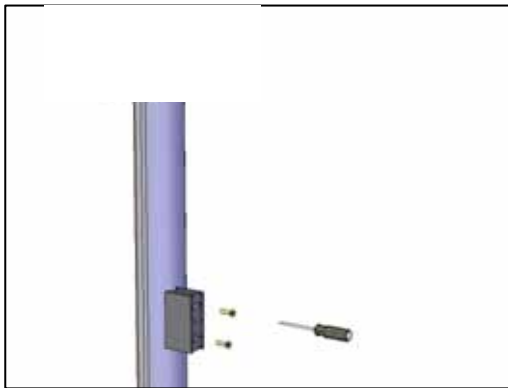
## Operating Manual

### Body height measuring device

---

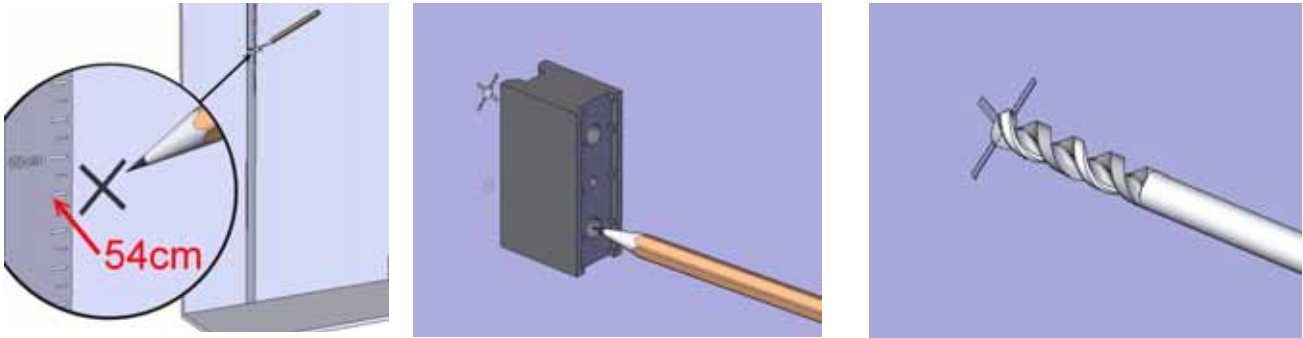
---

#### How to attach to KERN scale:

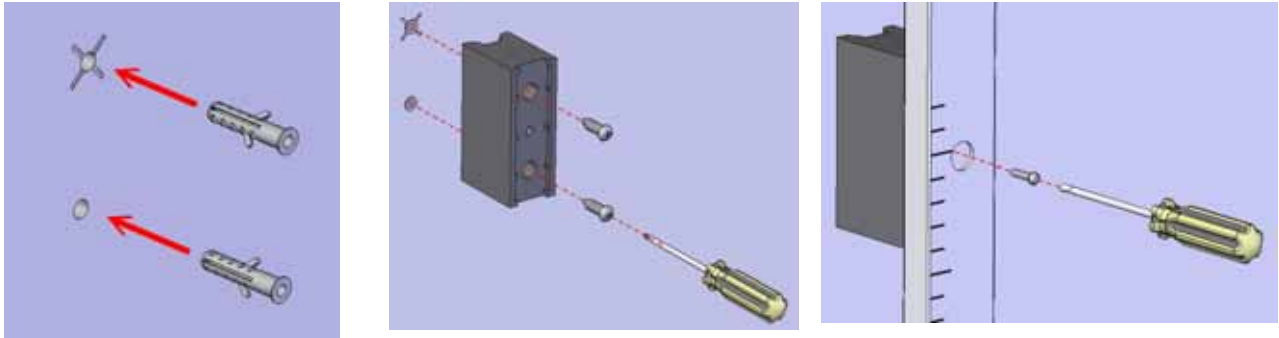


First of all, screw the holder to the tripod by screwing the 2 screws into the insert nuts. Then take the appertaining screw to screw the body height measuring device on the holder to the lower hole.

**Assembly instructions with holder:**

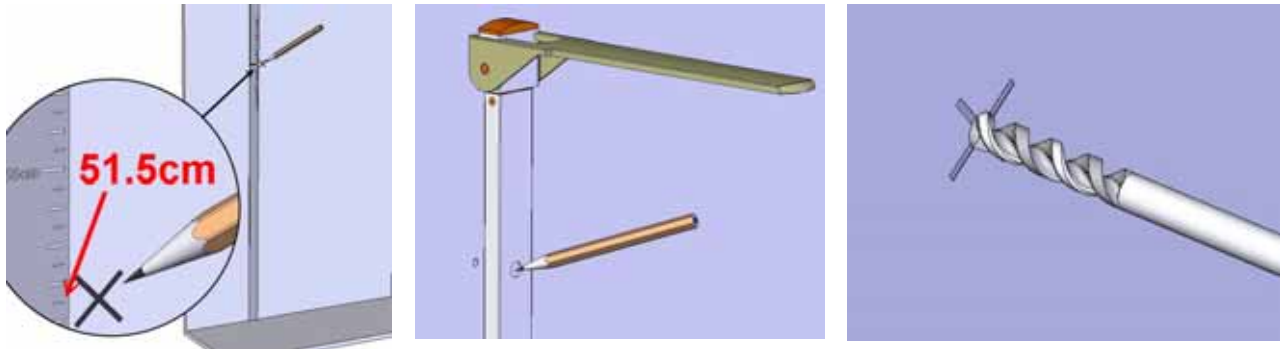


Apply a mark at 54.0 cm above floor. Vertically below it mark the second hole. Drill both holes.

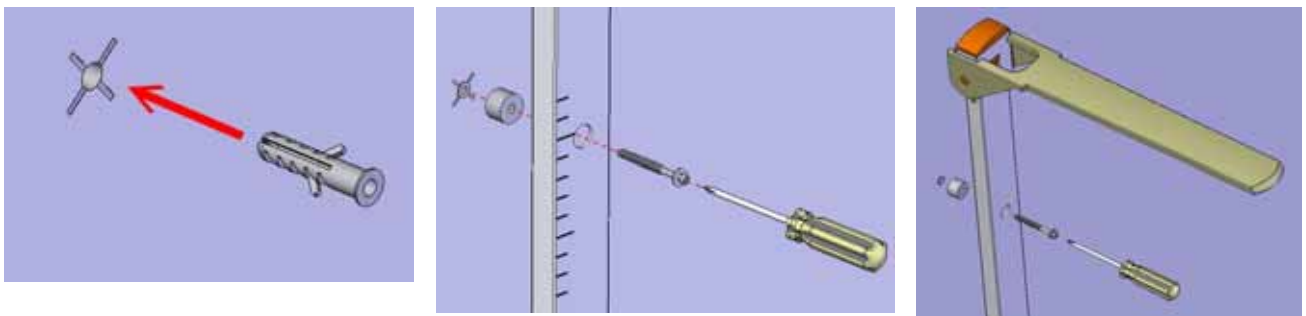


Insert both dowels. Screw holder to wall. Screw body height measuring device to holder.

### Assembly instructions without holder:



Apply a mark at 51.5 cm above floor. Extend body height measuring device, mark second hole above it. Drill both holes.



Insert both dowels. Insert lower screw and tighten it. Then insert upper screw and tighten it.

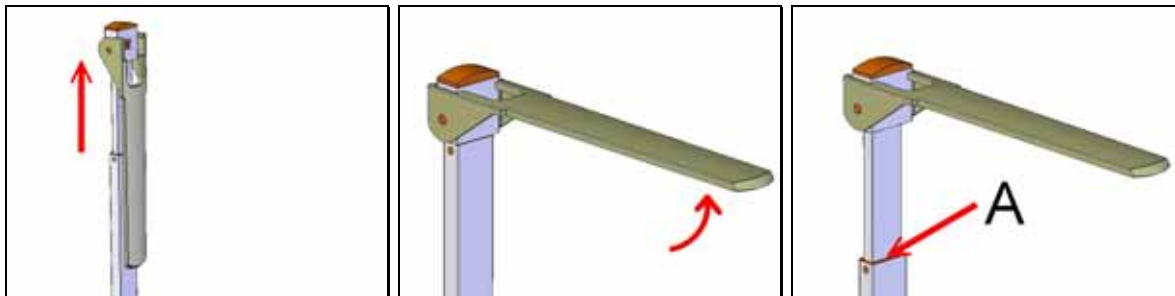
### Safety note:

Carefully read this operation manual before commissioning, even if you are already familiar with KERN medical balances.

- Please follow these operating instructions.
- This body height measuring device is only suitable for attachment to KERN Person scales with integrated tripod and standing aid, or to a wall.
- How to use the supplied mounting material
- During assembling, ensure that screws are tightened properly and that the body height measuring device has been assembled correctly. (see chapter Assembly instructions)
- To prevent risk of injury, make sure that the headpiece is folded down after each use.

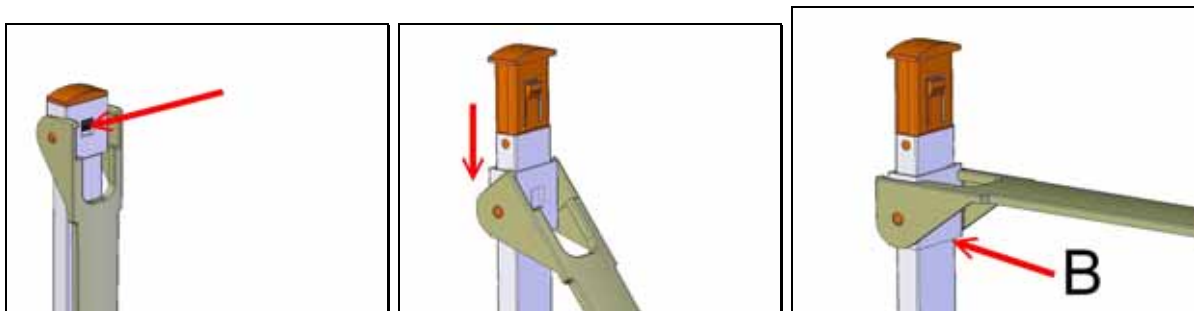
## How to use the body height measuring device:

Body height above 130cm



1. Pull measuring rod upwards
2. Move headpiece up into horizontal position until it locks
3. Push measuring rod carefully down until the headpiece touches the person's head. Read the body height on the measuring rod (A).

Body height until 130 cm



1. Push in dowel.
2. With dowel pushed in, push headpiece with holder downwards and then bring the headpiece into a horizontal position until it locks.
3. Push measuring rod carefully down until the headpiece touches the person's head. Read body height on marking (B).

### Technical data:

Body height:	60-200 cm / 24-78 inch
Division:	1mm /1/8 inch
Dimensions: (B x H x T):	55 x 935 x 35 mm
Weight:	approx.700 g
Temperature range:	+10°C to +40°C

### Cleaning:

Please do not use aggressive cleaning agents (solvents or similar agents), but a cloth dampened with mild soap suds or a house-hold cleaner.